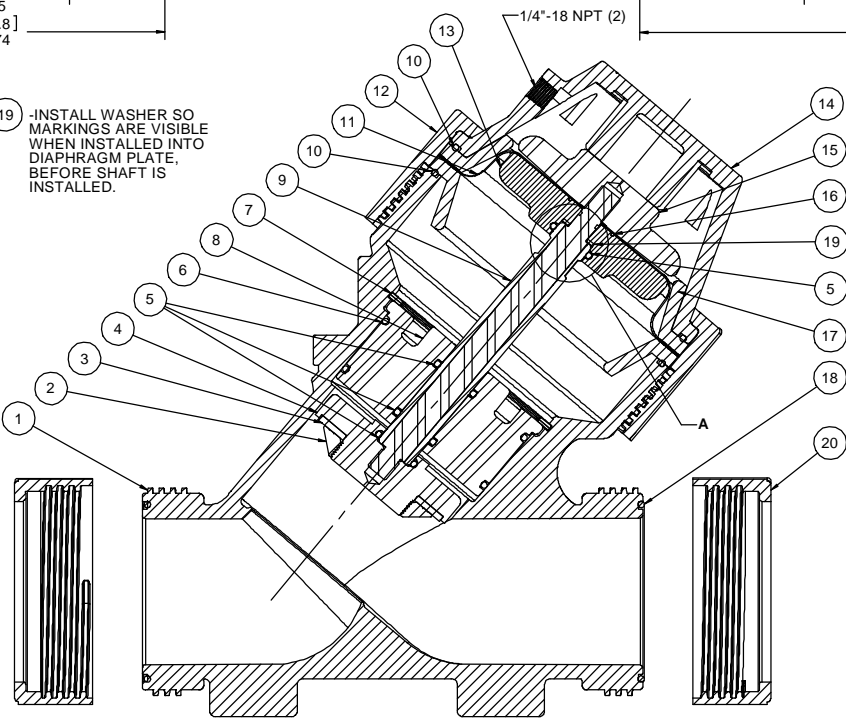


19 -INSTALL WASHER SO MARKINGS ARE VISIBLE WHEN INSTALLED INTO DIAPHRAGM PLATE, BEFORE SHAFT IS INSTALLED.

DETAIL A
SCALE 2 : 1



BR1070316 (K537-X200-14000)
NORMALLY OPEN (STANDARD)

REVISIONS					
ZONE	ECN	REV	DESCRIPTION	DATE	APP'D
	101344	J	1-REDRAWN IN SOLIDWORKS; 2-PROTECTOR MADE TO MATCH CURRENT PRODUCTION; 3-THE OLD DRAWING NUMBER IS NOW THE DRAWING NUMBER	10-29-12	TMS
	102141	K	1-WAS: INSTALL WASHER SO THAT MARKINGS ARE SEATED FACE DOWN ON THE SHAFT FLANGE AND BEANS ARE NOT VISIBLE FROM SEATES	06-28-13	TJM
	104852	L	1-ITEM #4- WAS:1073462; 2-REMO: BR FROM PART #5; 3-UPDATED TITLE BLOCK	11/01/15	TJM

ITEM NO.	DESCRIPTION	PART NUMBER	QTY.
1	VALVE BODY, SERIES 537	NORYL 1073472	1
2	NUT,DISC PLATE,537,MCHD	PVC 1073459	1
3	DISC, 537	EPDM 1073463	1
4	DISC HOLDER, K537	ULTEM 43361	1
5	O-RING, -212	EPDM 1071745	4
6	O-RING, 2-212	FKM 1242719	1
7	O-RING, -240	EPDM 1071757	2
8	O-RING, -240	FKM 1071830	1
9	RING, RETAINING	1073505	1
10	V537 - SHAFT GUIDE (MACHINED)	PVC 1073478	1
11	SHAFT, ASSY,V537/ 3' PLSTC VLV	1073508	1
12	O-RING, 2-259	BUNA 1071714	2
13	O-RING, -259	FKM 1071834	2
14	DIAPHRAGM, 537	BUNA 1073462	1
15	NUT, CAP RETAINING, V537	NORYL 1073446	1
16	PLATE, LOWER DIAPHRAGM, K537	NORYL 43456	1
17	CAP, 537 MOLDED	NORYL 1073445	1
18	PLATE, DIAPHRAGM,UPPER,K537	NORYL 1073448	1
19	O-RING,2-024	BUNA 1071676	1
20	DIAPHRAGM, SUPPORT, K537	NORYL 1073491	2
21	O-RING, -239	EPDM 1071756	2
22	O-RING, -239	FKM 1071829	2
23	WASHER, .867 CUSTOM	43328	1
24	NUT, RETAINING, 537	NORYL 1073458	2

NOTE:
CONNECTORS NOT FURNISHED WITH VALVE.
SEE DWG. NO. 1078165 FOR FEMALE SOCKET
WELD CONNECTORS.

REPAIR PARTS KITS	
DESCRIPTION	PART NO.
DIAPHRAGM & SEALS KIT CONSISTS OF ITEM NO'S 3, 4, 5, 6, 10, 11, 16, 18	BR1070321 (537-RAE) E.P.D.M. INCLUDES DIAPHRAGM BR1073462 (537-100)
	BR1070337 (537-RAVFB) FKM INCLUDES DIAPHRAGM BR1073462 (V537-100)
INT. PARTS KIT NO'S 2, 4, 7, 8, 9, 13, 15, 17, 20	BR1070345 (K537-RF)

ASSEMBLY TOOLS	
DESCRIPTION	PART NO.
LIMITED STOP TOOL (TOOL NOT SHOWN)	BR 1013556 (V560-579)
STRAP WRENCH (TOOL NOT SHOWN)	BR1073557 (V560-581)

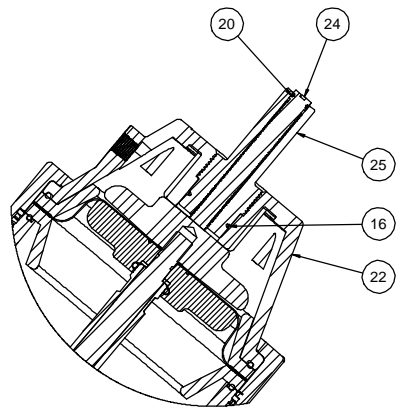
SEE PAGE 2 FOR CONFIGURATION OPTIONS

THIS DOCUMENT IS SOLELY THE PROPERTY OF MATTIC CORPORATION. IT IS TO BE USED ONLY FOR THE PROJECT AND/OR PURPOSE SPECIFICALLY IDENTIFIED IN THE TITLE BLOCK. IT IS NOT TO BE REPRODUCED, COPIED, OR TRANSMITTED IN ANY FORM OR BY ANY MEANS, ELECTRONIC OR MECHANICAL, INCLUDING PHOTOCOPYING, RECORDING, OR BY ANY INFORMATION STORAGE AND RETRIEVAL SYSTEM, WITHOUT THE WRITTEN CONSENT OF MATTIC CORPORATION. ALL RIGHTS ARE RESERVED. THIS DOCUMENT AND ANY COPIES SHALL BE RETURNED TO MATTIC CORPORATION UPON REQUEST.

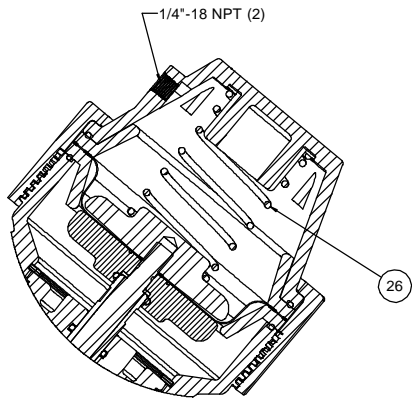
DO NOT SCALE DRAWING. DIMENSIONS SHOWN PRECEDENCE OVER DIMENSIONS TAKEN FROM PARTS. INTERSECT DIMS AND TOLERANCES PER ASME Y14.5M-2009 UNLESS OTHERWISE SPECIFIED.
ALL FINISHED MACHINED SURFACES 125 \sqrt{R} OR BETTER.
TOLERANCES:
ANGLES: \pm .015 DMM
1 PLACE \pm .015 DMM
2 PLACE \pm .005 DMM
3 PLACE \pm .001 DMM

THIRD ANGLE PROJECTION	DATE
APPROVALS	DATE
DRAWN	12-1-11
APPROVED	
CHECKED	

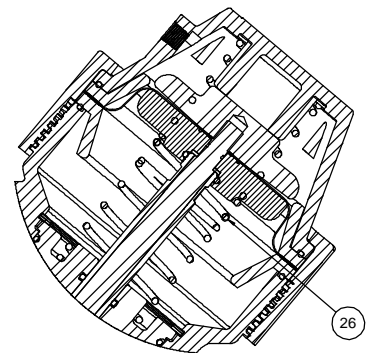
TITLE: CATALOG SHEET, 537 DIAPHRAGM VALVE
SCALE: 1:4
REV L
BR1077691
SHEET 1 OF 2



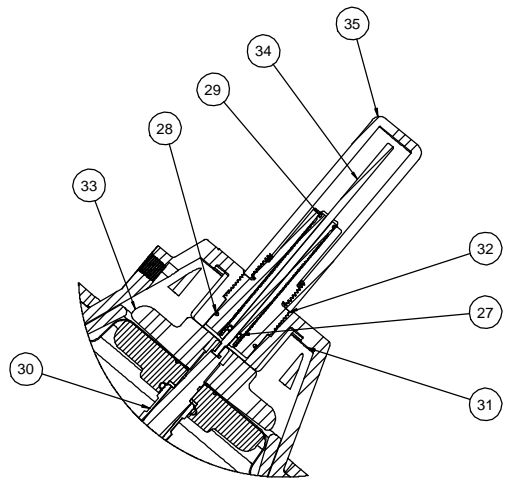
BR1070317 (K537-X210-14000)
LIMIT STOP



BR1071391 (K537-X202-14000)
SPRING ASSIST CLOSED



BR1071390 (K537-X201-14000)
SPRING ASSIST OPEN



K537-X221-14000
**LIMIT STOP/
POSITION INDICATOR**

REPAIR PARTS KITS	
DESCRIPTION	PARTS NO.
INT. PARTS KIT (LIMIT STOP) CONSISTS OF ITEM NO'S 21 THRU 24	BR1075237 (537-LS)
INT. PARTS KIT (SPRING ASSIST CLOSED) CONSISTS OF ITEM NO. 26	BR1075239 (537-S)
INT. PARTS KIT (SPRING ASSIST OPEN) CONSISTS OF ITEM NO. 26	BR1075239 (537-S)
INT. PARTS KIT (LIMIT STOP/POS INDICATOR) CONSISTS OF ITEM NO'S 27 THRU 35	BR1081805 (537-PI)

CONVERSION KITS	
DESCRIPTION	PART NO.
CONVERSION KIT (LIMIT STOP) CONSISTS OF ITEM NO'S 10, 21 THRU 25	BR1071377 (537-LSC)
CONVERSION KIT (SPRING ASSIST CLOSED) CONSISTS OF ITEM NO. 26	BR1075239 (537-S)
CONVERSION KIT (SPRING ASSIST OPEN) CONSISTS OF ITEM NO. 26	BR1075239 (537-S)
CONVERSION KIT (POSITION INDICATOR) CONSISTS OF ITEM NO'S 10, 27 THRU 35	BR1071378 (537-PI-C)

REVISIONS					
ZONE	ECN	REV.	DESCRIPTION	DATE	APP'D
			SEE SHEET ONE FOR NOTES		

LIMITED STOP MODEL			
ITEM NO.	DESCRIPTION	PART NUMBER	QTY.
21	O-RING, 2-012, NITRILE	BUNA 1071668 (ORB-012)	1
	O-RING, FKM, ORV-012	FKM 1071787 (ORV-012)	1
22	O-RING, 2-024, NITRILE	BUNA 1071676 (ORB-024)	1
	O-RING, FKM, ORV-024	FKM 1071791 (ORV-024)	1
23	CAP. 3" VALVE, LS/PI, V537	NORYL 1073473 (V537-420K)	1
24	SCREW, LIMIT STOP	1073498	1
25	GUIDE, LIMIT STOP, K537	PVC 1073494	1

SPRING ASSIST CLOSED MODEL & SPRING ASSIST OPEN MODEL			
ITEM NO.	DESCRIPTION	PART NUMBER	QTY.
26	SPRING, COMPRESSION	1073467	1

LIMIT STOP/ POSITION INDICATOR MODEL			
ITEM NO.	DESCRIPTION	PART NUMBER	QTY.
27	LIMIT STOP SCREW, POS. IND.	1073506 (V537-700)	1
28	O-RING, 2-024	BUNA 1071676 (ORB-024)	1
	O-RING, -024	FKM 1071691 (ORV-024)	1
29	O-RING, 2-012	BUNA 1071668 (ORB-012)	1
	O-RING, -012	FKM 1071787 (ORV-012)	1
30	SHAFT, 537, PVC, PI	1073507 (V537-701)	1
31	CAP. 3" VALVE, LS/PI, V537	NORYL 1073473 (V537-420K)	1
32	GUIDE, LIMIT STOP, PI, K537	PVC 1073493	1
33	PLATE, DIAPHRAGM, 537, UPR	NORYL 1073475	1
34	ROD, POSITION INDICATOR, 537	1073492	1
35	SIGHT GLASS, POS INDICATOR 537	1073489	1

SEE PAGE 1 FOR
STANDARD NORMALLY OPEN MODEL

<small>THIS DOCUMENT IS SOLELY THE PROPERTY OF PARKER HANNIFIN CORPORATION. IT IS TO BE USED ONLY FOR THE PURPOSES SPECIFIED HEREIN. NO REPRODUCTION OR TRANSMISSION OF THIS DOCUMENT OR THE INFORMATION CONTAINED HEREIN IS PERMITTED WITHOUT THE WRITTEN CONSENT OF PARKER HANNIFIN CORPORATION. ALL RIGHTS ARE RESERVED. THIS DOCUMENT AND ANY COPIES SHALL BE RETURNED TO PARKER HANNIFIN CORPORATION UPON REQUEST.</small>		THIRD ANGLE PROJECTION
APPROVALS	DATE	TITLE CATALOG SHEET, 537 DIAPHRAGM VALVE
DRAWN	12-1-11	
APPROVED		
CHECKED		SIZE D DWG NO. BR1077691 REV L
<small>DO NOT SCALE DIMENSIONS. DIMENSIONS SHOWN IN THIS INTERPRET DIMS AND TOLERANCES PER ASME Y14.5M-2009 UNLESS OTHERWISE SPECIFIED. ALL FINISHED MACHINED SURFACES 12.5 μm R.A. UNLESS OTHERWISE SPECIFIED. ANGLES: 1:1 1 PLACE: 4:1 2 PLACE: 8:1 3 PLACE: 16:1 4 PLACE: 32:1</small>		SCALE 2:3 SHEET 2 OF 2